

NEW

MODEL SD-650 LABEL APPLICATOR KIT

The SD-650 Label Applicator Kit is designed as an option for many Straub Design tape applicators to permit the application of pre-printed label tape to flat surfaces. Tape strip labels can be applied continuously or labels with gaps can be applied to each product as required. The applicator will automatically sense the registration mark on the roll of printed tape stock and apply the printed tape in reference to the mark. This tape applicator can be mounted over a moving product, conveyor or used on custom designed taping equipment moving the tape head

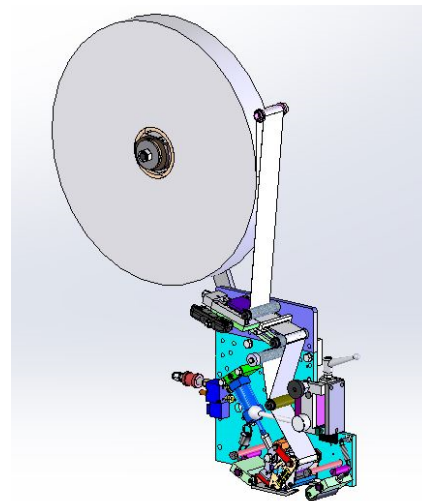
## FEATURES

The Model SD-650 applies up to 2" wide pre-printed label tape to a product, moving either the product or the tape applicator, which pulls the tape from the roll. Speed adjustable up to 200 fpm.

## SPECIFICATIONS

- Cut accuracy +/- 1/16"
- Minimum cut length 2"
- Cut will be serrated
- Kit can be mounted to either the T-626 or T-627 tape applicator.
- Weight 30 lbs. (includes applicator)
- Maximum roll diameter 18"

Note: The product to be taped must be firmly driven under the tape applicator at all times. Alternatively, the product to be taped must be firmly secured while the taping head is driven over the product. For optimum performance on non-rigid products, it is recommended that the sum of the tape strip length and inset length be greater than 2" (50 mm).



T-627-2 Flat Surface Tape Applicator  
with SD-650 Label Applicator Kit

## MACHINE & POWER SPECIFICATION

24v DC, 2A or 120v AC, 1A, 50/60Hz

Air: 60 PSIG (4.1 bar gauge) 0.4 SCFM (11.2 liters/min)

See Straub for engineered tape solutions in a variety of industries, from automotive and packaging to solar. If we don't have the tape applicator you need, we'll design, build and install a custom solution for you.