

MODEL SD-660 AUTOMATIC TAPE SPLICING SYSTEM

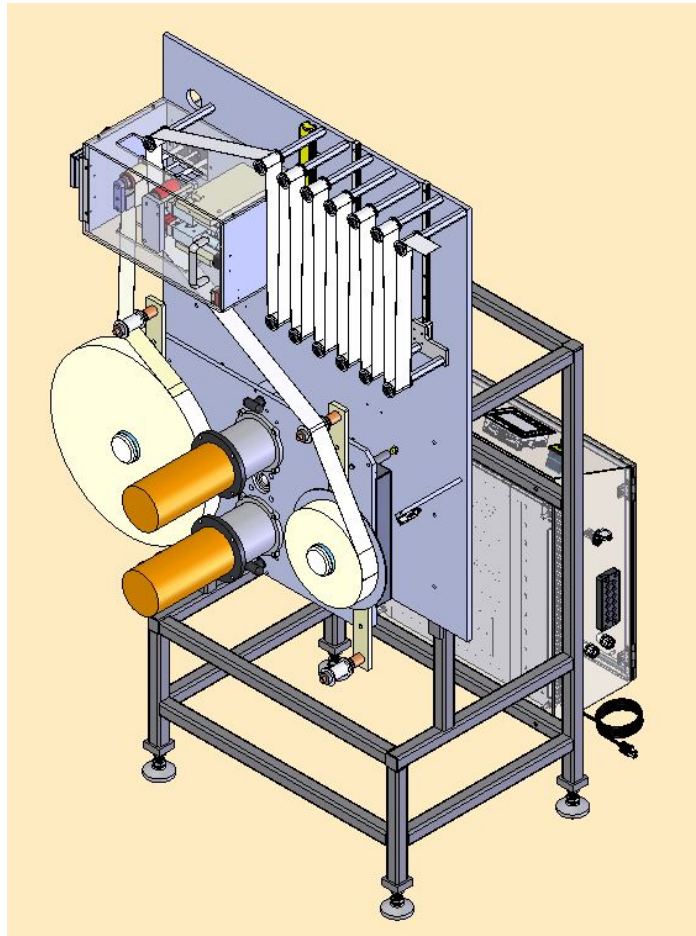
The SD-660 Automatic Tape Splicing system is designed to splice two (2) planetary wound rolls of tape together as one is about to be depleted. The now depleted tape roll can then be changed out by the operator and the new tape roll can be prepared for the next splice without stopping the production line.

PRODUCT SPECIFICATIONS

- Tape: Pressure Sensitive (PSA) / Single or Double-Sided (adhesive transfer tape may not work with this splicing system)
- Tape Width: Minimum: 3/4" (19mm); Maximum: 2" (50.8mm)
- Tape Roll Size: Planetary wound rolls; up to 18" OD; 3" ID core
- Speed: Up to 700 fpm (213 mpm)

MACHINE SPECIFICATIONS

- Electrical: 120V, 1Ph, 60Hz, 15A
- Size: 42" wide x 48" deep x 78" high
- Weight: 425 lbs



See Straub for engineered tape solutions in a variety of industries, from automotive and packaging to solar. If we don't have the tape applicator you need, we'll design, build and install a custom solution for you.